



IEC Charge Coupler Connector

Along with the increasing awareness of environmental protection, more and more people are eager to use green energy to protect and improve the surrounding environment. Meanwhile, the government also encourages and advocates green travel, using the green energy vehicles, to achieve the energy conservation and emission reduction target. Europe will be the second largest electric vehicle market in the world after China. In 2018, the sales volume of electric vehicles in Europe was about 430,000, increased 41% year on year; in 2017 the sales volume was 307,000, increase 39% compared to 2016. At the same time, with the improvement of charging facilities and the large-scale use of electric vehicles in various car rental markets, electric vehicles will gradually become more popular. As one of the standard-settler for conductive charging connection devices of electric vehicles, Chilye's product design concept and quality take a leading position in the industry.



Revision	Description	Date	Modified By
REV_A	Frist released	2024/5/22	Sane.Zhang
REV_B	Renewal of certificates	2025/7/11	Linsen.Chen

▲ If you want to know more information about this series products, please feel free to contact with us.

SUZHOU CHILYE GREEN TECHNOLOGY CO.,LTD.

Address: No.2 Rui en Lane, Xingpu Road, Suzhou Industrial Park, Jiangsu Province, China

Tel: 0512-69566052 Fax: 0512-69566055

Email: evsales@chilye.com



Applications

Conductive charging of Electric Vehicles

Mechanical

Durability: $\geq 100\ 00$ mating cycles
Connection: Crimped connections
Mating Force: $\leq 100N$

Electrical

Rated voltage: 1000V DC
Rated current :80A/125A/200A/250A/300A/350A
Insulation Resistance: $>200M\Omega$ (1000V DC)
Withstand Voltage: 3000Vac
Temp Sensor: PT1000

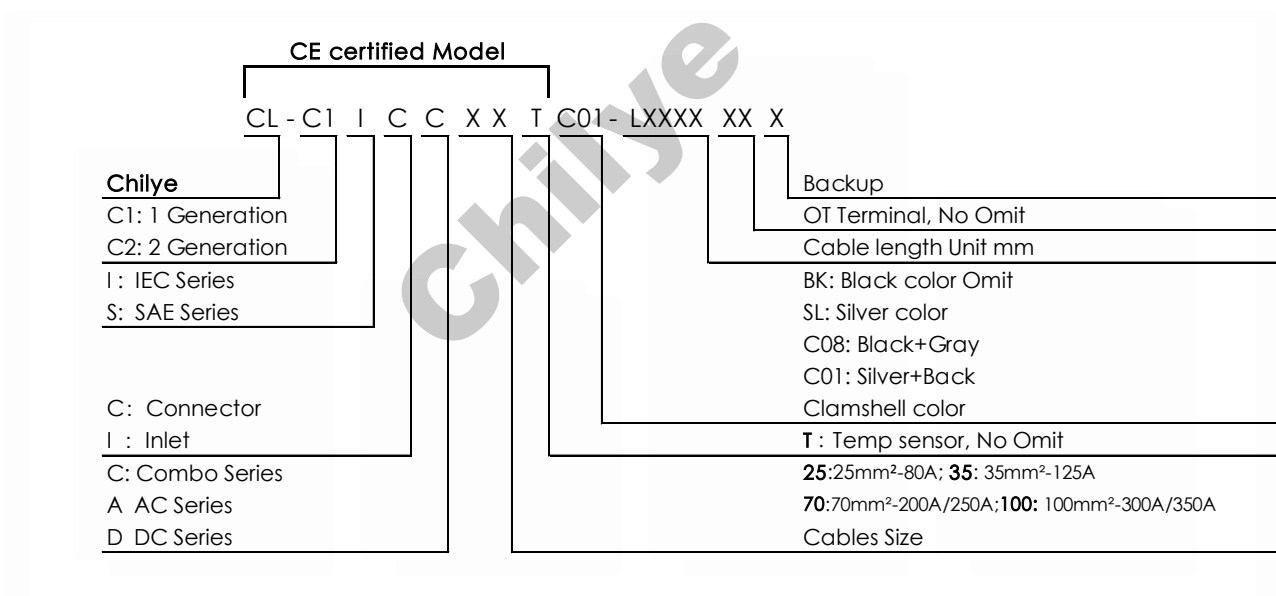
Environmental

Protection grade: IP54(When mated);
Electrical protection: IP2XB (No dust cap)
Operating temperature: $-30^{\circ}C$ to $50^{\circ}C$
Storage temperature: $-40^{\circ}C$ to $85^{\circ}C$

Standards

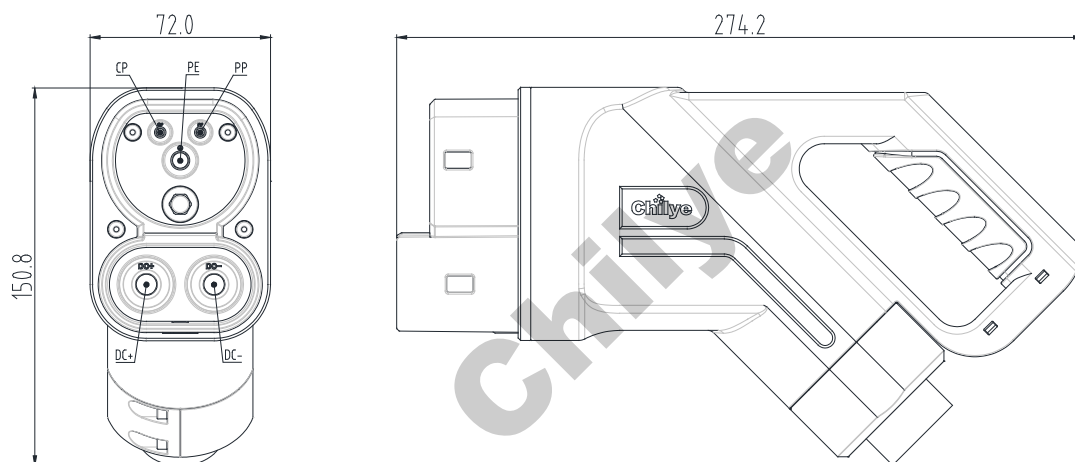
- 1, IEC 62196-1:2022
- 2, IEC 62196-3:2022
- 3, IEC 61851-1:2017

Product model instruction





1. Vehicle connector --- Product outline dimensions



IEC CCS2 connector

Mode 4 Case C connection

It is composed of vehicle connector, and cable, providing 80A, 125A, 200A, 250A, 300A, 350A current and 1000V DC power for charging electric vehicle



◆ Cables

Specification:

80A : 3*25mm²+5*0.5mm²; 125A: 2*35mm²+1*25mm²+5*0.5mm²;

200A/250A: 2*70mm²+1*25mm²+5*0.5mm²;

300A/350A: 4*50mm²+1*50mm²+6*0.5mm²

Color : DC+ : --- Red; DC- : --- Black; PE: --- Yellow & green ; CP: ---White; PP:---Blue; T1+ : --- Brown; T1- : --- Orange; T2+ : ---Gray; T2- : --- Violet

Product Selection

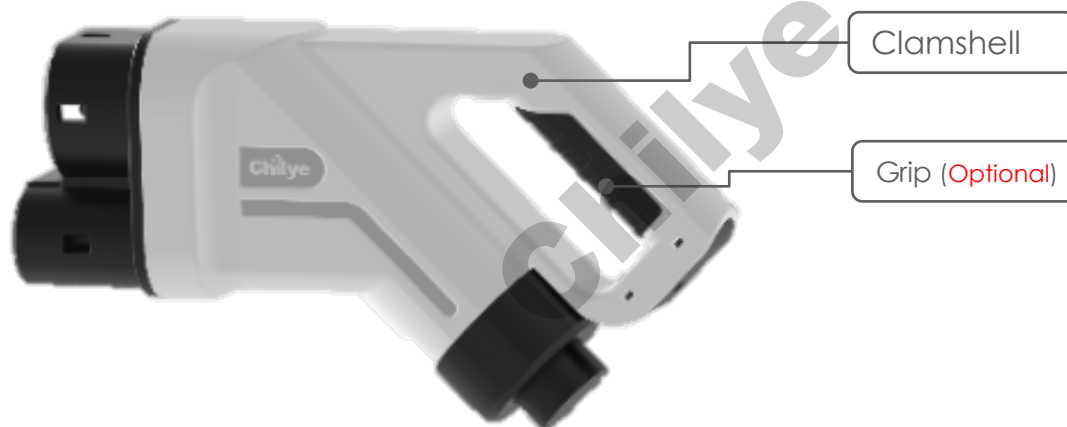
产品型号	额定电流 (A)	线缆规格 (mm ²)	线缆外径 (mm)	温度传感器
CL-C1ICC25T	80	25	Φ24.0±0.5	yes
CL-C1ICC35T	125	35	Φ26.0±0.5	yes
CL-C1ICC70T	200	70	Φ33.6±0.5	yes
CL-C1ICC71T	250	70	Φ33.6±0.5	yes
CL-C1ICC100T	300	100	Φ38.5±0.5	yes
CL-C1ICC101T	350	100	Φ38.5±0.5	yes

2. Vehicle connector --- PT1000 Resistance List(Unit Ω)

T (°C)	0	1	2	3	4	5	6	7	8	9
-40	842.72									
-30	882.22	878.28	874.33	870.39	866.39	862.49	858.54	854.58	850.63	846.67
-20	921.6	917.67	913.74	909.8	905.87	901.93	897.99	894.05	890.11	886.17
-10	960.86	956.94	953.02	949.1	945.17	941.25	937.32	933.39	929.47	925.54
0		996.09	992.18	988.27	984.36	980.45	976.53	972.62	968.7	964.78
0	1000	1003.9	1007.8	1011.7	1015.6	1019.5	1023.4	1027.3	1031.2	1035.1
10	1039	1042.9	1046.8	1050.7	1054.6	1058.5	1062.4	1066.3	1070.2	1074
20	1077.9	1081.8	1085.7	1089.6	1093.5	1097.3	1101.2	1105.1	1109	1112.9
30	1116.7	1120.6	1124.5	1128.3	1132.2	1136.1	1139.9	1143.8	1147.7	1151.5
40	1155.4	1159.3	1163.1	1167	1170.8	1174.7	1178.6	1182.4	1186.3	1190.1
50	1194	1197.8	1201.7	1205.5	1209.4	1213.2	1217	1220.9	1224.7	1228.6
60	1232.4	1236.2	1240.1	1243.9	1247.8	1251.6	1255.4	1259.3	1263.1	1266.9
70	1270.7	1274.6	1278.4	1282.2	1286	1289.9	1293.7	1297.5	1301.3	1305.1
80	1309	1312.8	1316.6	1320.4	1324.2	1328	1331.8	1335.6	1339.4	1343.2
90	1347	1350.9	1354.7	1358.5	1362.3	1366.1	1369.9	1373.7	1377.4	1381.2
100	1385	1388.8	1392.6	1396.4	1400.2	1404	1407.8	1411.6	1415.3	1419.1
110	1422.9	1426.7	1430.5	1434.2	1438	1441.8	1445.6	1449.3	1453.1	1456.9
120	1460.7	1464.4	1468.2	1472	1475.7	1479.5	1483.2	1487	1490.8	1494.5
130	1498.3	1502	1505.8	1509.6	1513.3	1517.1	1520.8	1524.6	1528.3	1532.1
140	1535.8	1539.6	1543.3	1547	1550.8	1554.5	1558.3	1562	1565.7	1569.5
150	1573.2	1576.9	1580.7	1584.4	1588.1	1591.9	1596.6	1599.3	1603.1	1606.8
160	1610.5	1614.2	1617.9	1621.7	1625.4	1629.1	1632.8	1636.5	1640.3	1644
170	1647.7	1651.4	1655.1	1658.8	1662.5	1666.2	1669.9	1673.6	1677.3	1681
180	1684.7	1688.4	1692.1	1695.8	1699.5	1703.2	1706.9	1710.6	1714.3	1718
190	1721.7	1725.4	1739.1	1732.7	1736.4	1740.1	1743.8	1747.5	1751.2	1754.8



3.Vehicle connector --- Color selection



序号 Item	颜色代码 Color code	外体颜色Clamshell color			包胶颜色Overmold Grip Color			组合颜色 Combined Color
		Description	Color No.	Color Card	Description	Color No.	Color Card	
1	C01	Silver	7541C		Black	446C		SL+BL
2	C08	Black	446C		Silver	7536C		BK+SL
3	SL	Silver	7541C		Silver	7541C		SL+SL
4	BK	Black	446C		Black	446C		BK+BK